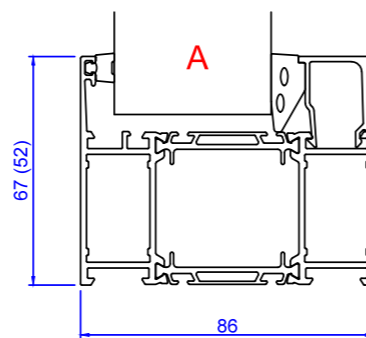
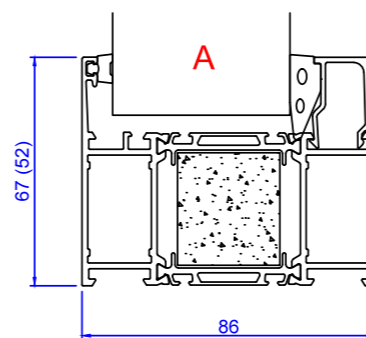


**Sapa 3086 SX Norgeskarm**

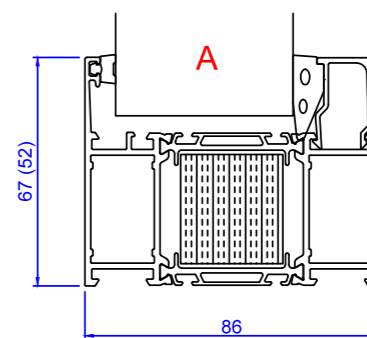
In this example we show "Norgeskarm" with SX insulation. This configuration is also available with Basic and PX insulation



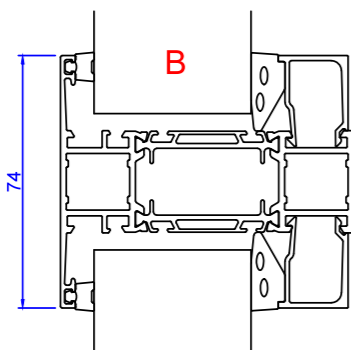
**Sapa 3086**



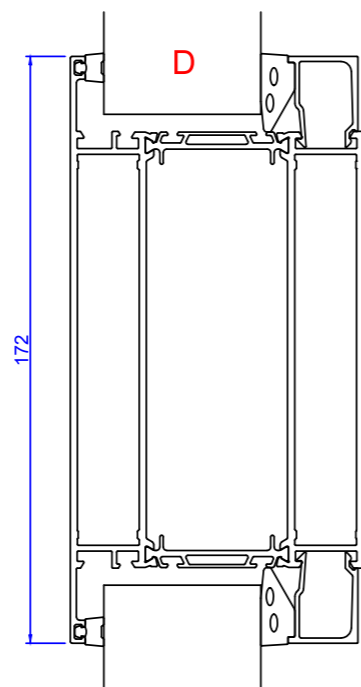
**Sapa 3086 SX**



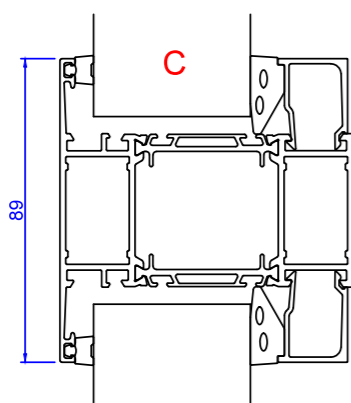
**Sapa 3086 PX**



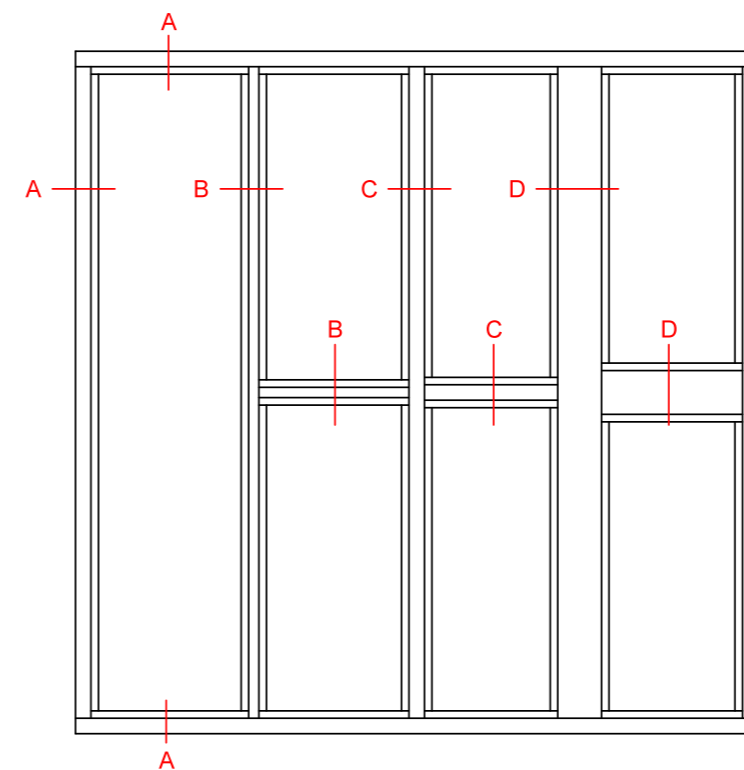
**B**



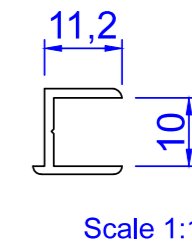
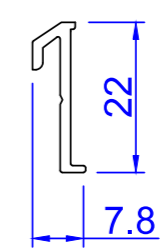
**D**



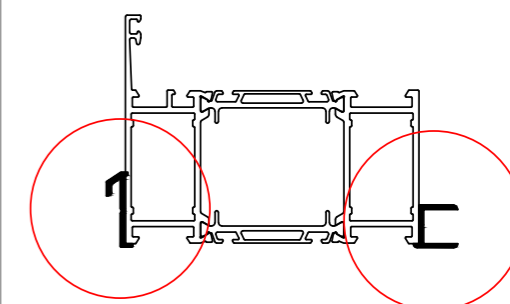
**C**



Add on profiles



Scale 1:1



Created by <b>MO</b>	Drawn by	Appr. by	Tolerance General Tolerance $\pm 0.2$
Created Date 11/7/2018	Drawn date	Appr. date	Product series HelAlu
Norwegian ND HelAlu Sapa 3086 Fast vindu HelAlu			
Swedish ND HelAlu Sapa 3086 Fast Fönster HelAlu			
English ND HelAlu Sapa 3086 Fixed Light HelAlu			



Format A3	Scale 1:2	Size 1 of 1	Revision
Drawing No. <b>NHA3086FL</b>			

This drawing is NorDan's property and may not without our permission be copied, transferred to another party or otherwise improperly used. Violation penalized under applicable law.