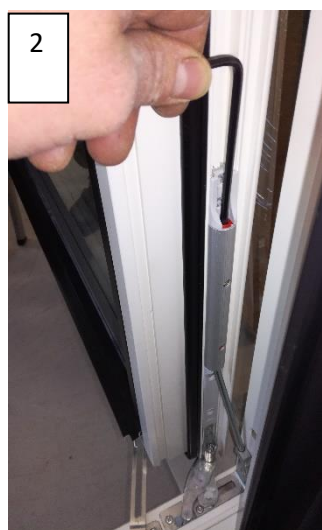
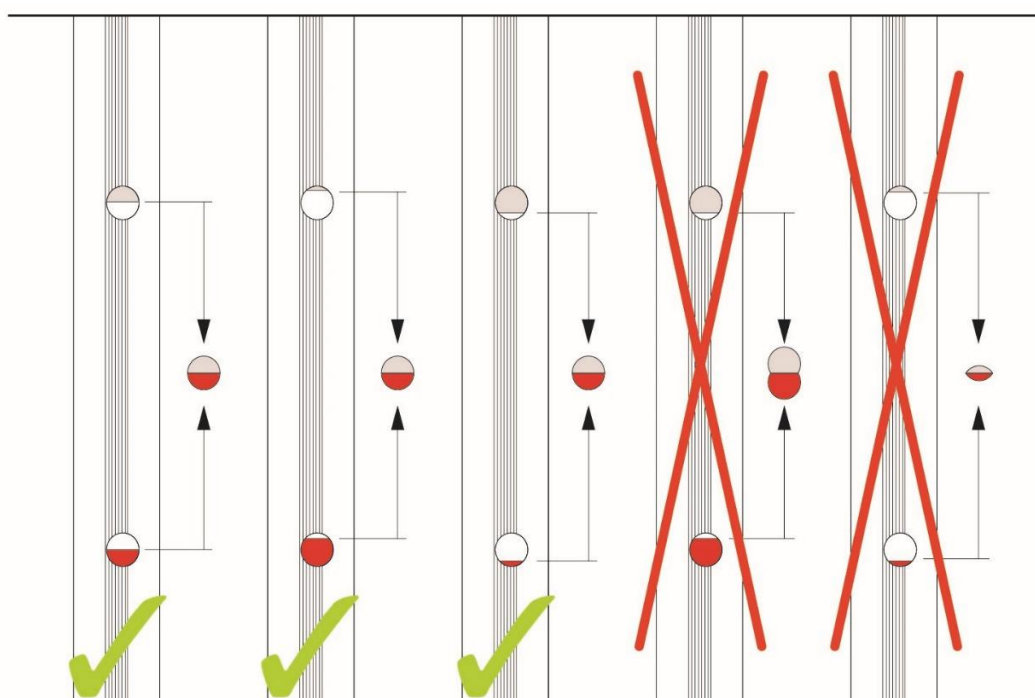


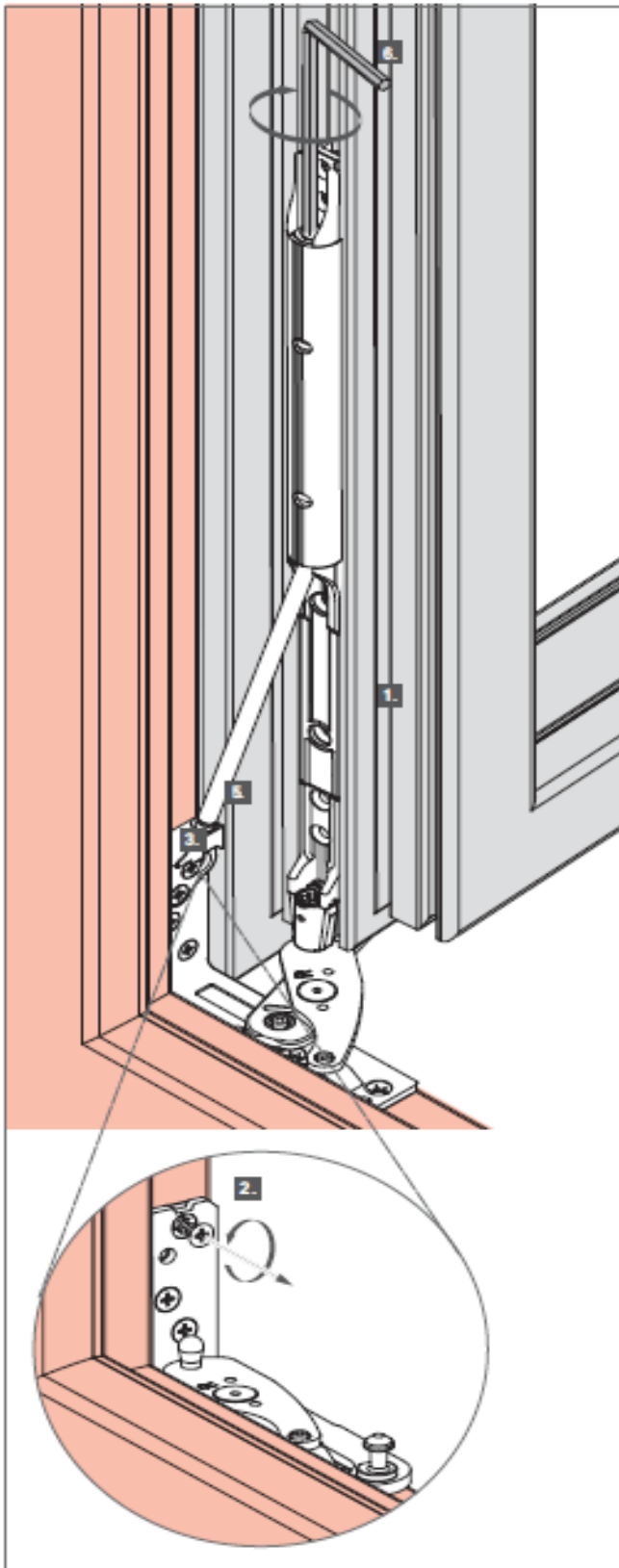
Dokumentets navn: MOI-PR-EN-338501-013 One – Justering av rammer over 80 kg på byggeplass	Ansvarlig: KL	Rev nr.: 2	Dato: 05.12.2019	Side 1 av 2
--	------------------	---------------	---------------------	----------------



Alle rammer over 80 kg har påmontert et beslag (Load transfer device) nede mellom ramme og karm på hengsleside. Dette beslaget må justeres manuelt da justeringen er vektavhengig.

1. Åpne rammen i 90° etter vinduet er ferdig montert i veggen. Rammen må henge fritt.
2. Justering av beslaget gjøres ved bruk av 4mm unbraco nøkkel. Skru «med klokken».
3. Etter en del omdreininger kommer den sølvfargede delen til syne i øverste hull. Summen av den røde delen i det nederste hullet og den sølvfargede i det øverste hullet skal til sammen utgjøre en hel sirkel. Se de tre første eksemplene under.





Functionality of the load transfer device

The spring in the load transfer device disburdens the pivot rest permanently by approx. 60 to 80 kg. In order to do so, the spring must be pre-stretched to a certain length. This applies regardless of the adjustment height of the sash. The relieving of the pivot rest is carried out over the entire lifespan of the hardware, also in consideration of sagging and wear and tear.



NOTE!

Do not equip sashes with a sash weight < 80 kg with a load transfer device, because this can result in malfunctions. It is compulsory to use a turn-restrictor. If the sash is already hinged in the frame prior to transportation, the spring of the load transfer can be clamped in the workshop. However, this is only sensible if the sash is assembled with the full glass load.

Installing the load transfer device

1. Insert the load transfer device's sash component up against the corner hinge and screw-fix.
2. Loosen the pivot rest's top screw connection.
3. Place the load transfer device's frame component on top of the pivot rest and screw-fix.
4. Hinge the sash (see page 66).
5. Connect the support rod with the sash component and insert into the cavity of the frame component.

Adjusting the load transfer device

6. Adjust the load transfer device with a 4 mm Allen key in a (90°) opened sash position: Adjust the adjusting screw in the silver divided circle in such a manner that the sum of the red and silver divided circles result in one complete circle. Check the result in the inspection opening.

