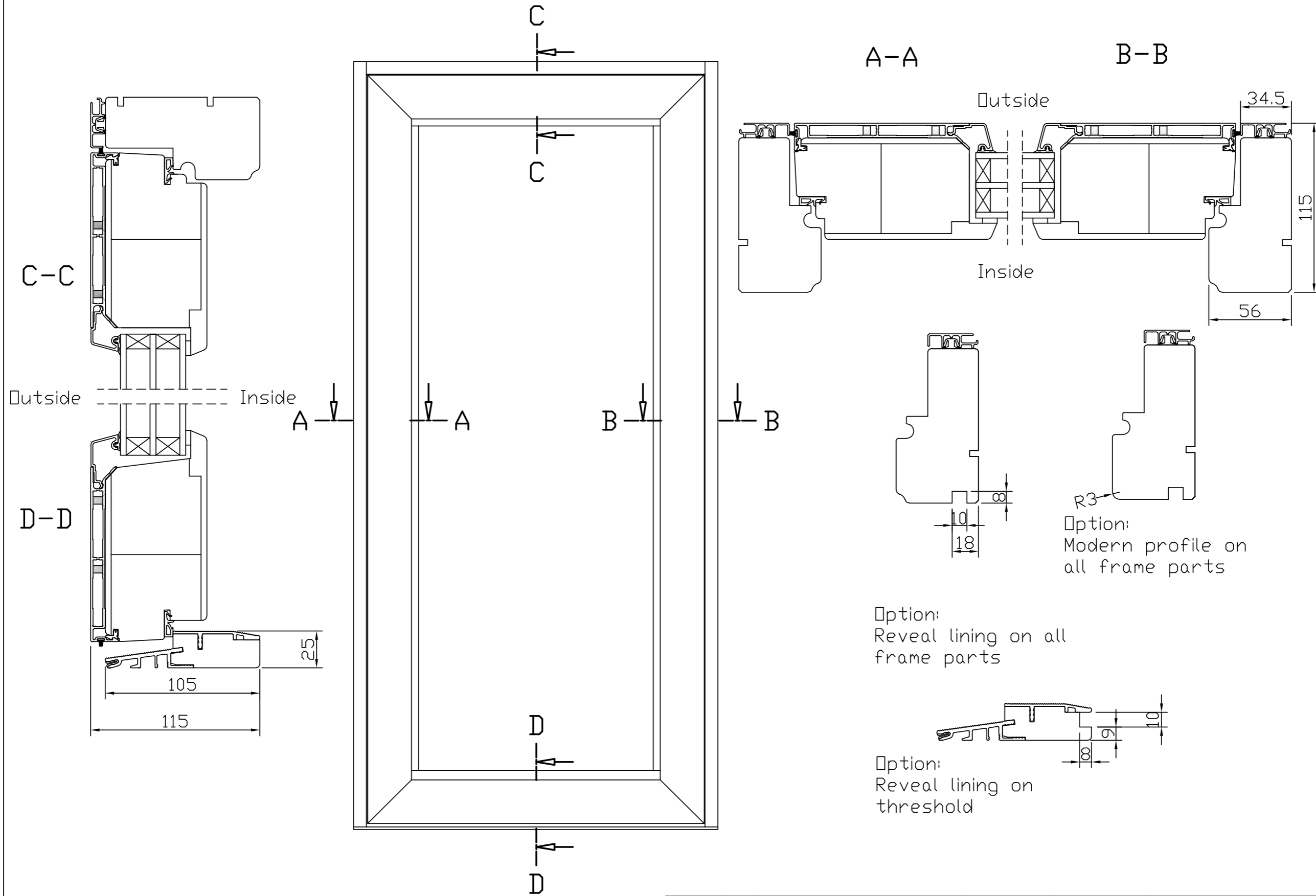


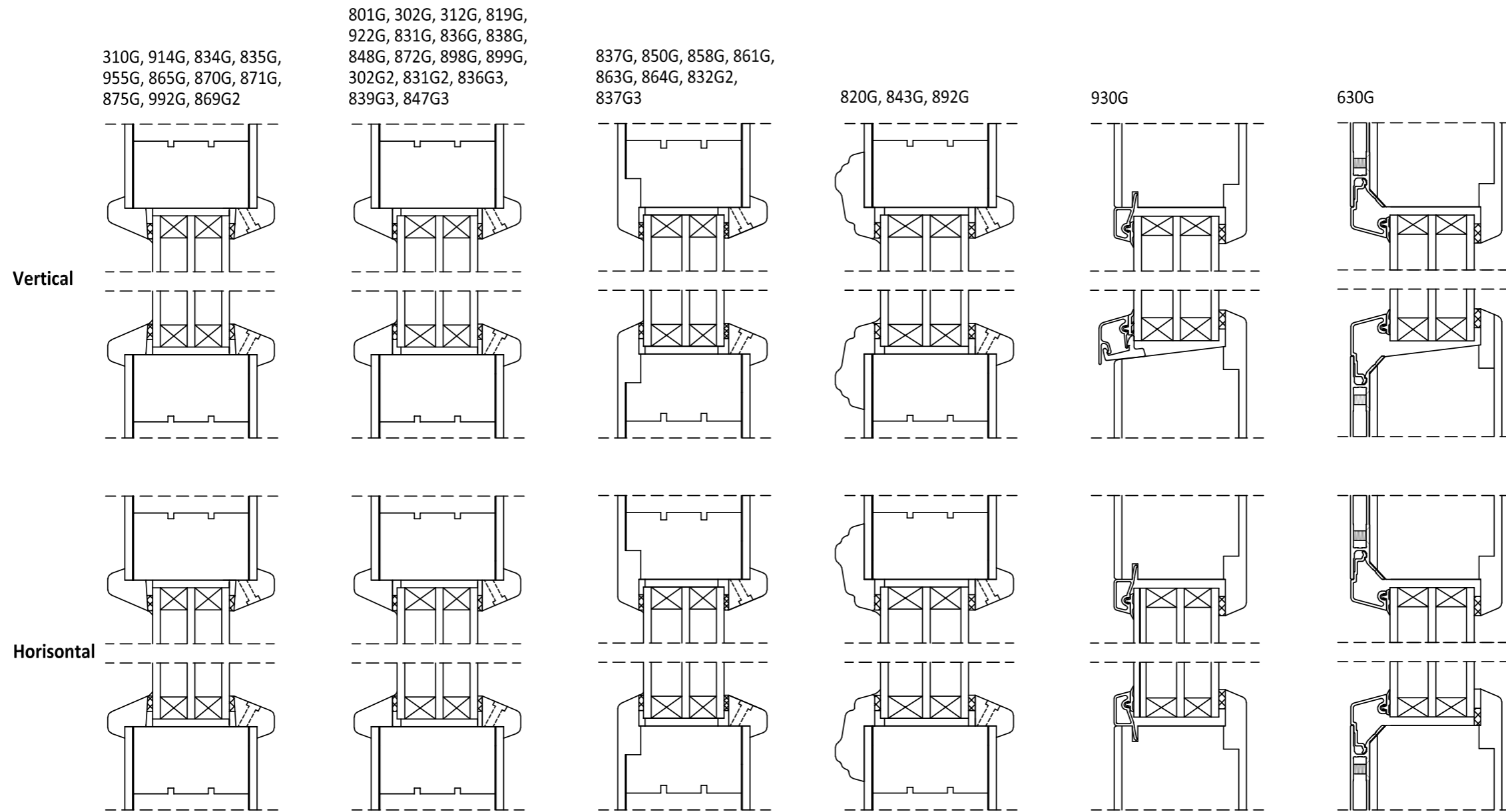
| Nr | Ant | Ändring | Datum | Inf | Godk |
|----|-----|---------|-------|-----|------|
| | | | | | |




| Det.nr | Ant | Benämning | | | Material | Dimension | Anmärkning | |
|---|--------------|-----------|-------|-------|----------|-----------|------------|-----------|
| | Ritad/Konstr | Ansvarig | Kontr | Stand | Godkänd | Skala | Ersätter | Ersatt av |
| | AR | AR | | | | | | |
| Beskrivning | | | | | | | | Datum |
| NorDan 1B Outward opened 630G UL.ULN | | | | | | | | 250924 |
| | | | | | | | Ritning.nr | |
| | | | | | | | 100-5-463 | |

Horizontal and vertical section of glazing of door leaf Outside <- Glass -> Inside

| Nr | Ant | Ändring | Datum | Inf | Godk |
|----|-----|---------|-------|-----|------|
|----|-----|---------|-------|-----|------|



| Det.nr | Ant | Benämning | | | Material | Dimension | Anmärkning | | |
|---|-----|--------------|----------|-------|----------|-----------|------------|--|-----------|
| | | Ritad/Konstr | Ansvarig | Kontr | Stand | Godkänd | Skala | Ersätter | Ersatt av |
| | | | A.Rydin | | | | | | |
|  | | | | | | | | Beskrivning Sections of glazing 1B, 2B, 1D | |
| | | | | | | | | Datum 250922 | |
| | | | | | | | | Ritning.nr 100-5-463 | |